

# Ty-Rap®

**T&B Catalog Number:** FOS320-50-0  
**UPC Number:** 78621071227  
**Description:** Cable Tie 50lb 12" Black Polyethylene/Nylon FOS Strip

**Status:** Active

<b>General</b>	
Material	Nylon
Color	Black
<b>Dimension Information</b>	
Length (inches)	12
Width (inches)	.750
Max. Wire Bundle Diameter (inches)	3.2
<b>Specifications</b>	
Tensile Strength (lbs.)	50
Temperature Rating	-40°F to 220°F
<b>Packaging</b>	
T&B Inner Pack	10
Package in Units	1000
Package Type	Regular
T&B Sold in UOM	Each
T&B Weight Per UOM	2 lbs. per 100
<b>Application Support</b>	
T&B Sales Drawings	wsd-000067
Overview	Available on Website
Material Selection Guide	Available on Website

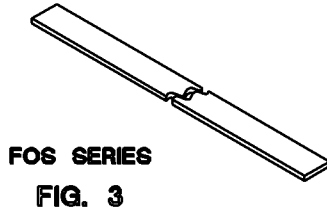
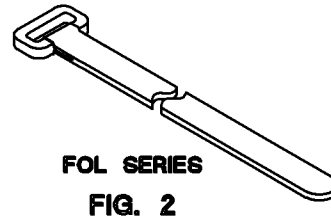
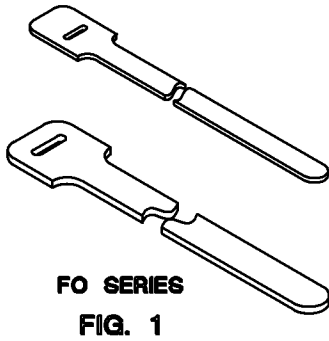


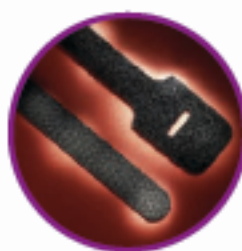
FIG.	TE SERIES	CATALOG NUMBER	MIN. TENSILE STRENGTH	MAX. BUNDLE DIAMETER	LENGTH	WIDTH	MATERIAL	MAX. TEMP. RATING
1	FO SERIES LOOP TIES	F0200-40-0	40LB (178N)	2" (50.8)	9' (228.6)	.5" (12.7)	LOW DENSITY POLYETHYLENE/NYLON	220°F (104.4°C)
		F0200-50-0	50LB (222.5N)			.75" (19.05)		
		F0350-40-0	40LB (178N)	3.5" (88.9)	13" (330.2)	.5" (12.7)		
		F0350-50-0	50LB (222.5N)			.75" (19.05)		
2	FOL SERIES BUCKLE TIES	FOL300-50-0	50LB (222.5N)	3" (76.2)	12" (304.8)	.75" (19.05)	NYLON	200°F (93.3°C)
		FOL500-50-0		5" (127)	18" (457.2)			
3	FOS SERIES STRIP TIES	FOS150-50-0	50LB (222.5N)	1.5" (38.1)	6" (152.4)	.75" (19.05)	LOW DENSITY POLYETHYLENE/NYLON	220°F (104.4°C)
		FOS320-50-0		3.2" (81.28)	12" (304.8)			
		FOS500-50-0		5" (127)	18" (457.2)			
4	FOR SERIES ROLL HOOK & LOOP	FOR180-50-0	50LB (222.5N)	VARIOUS	180" (4572)	.75" (19.05)	LOW DENSITY POLYETHYLENE/NYLON	220°F (104.4°C)

**BLACK IS STANDARD COLOR**  
**CONSULT CUSTOMER SERVICE FOR COLORS AND AVAILABILITY**

GENERAL NOTES			
1. DIMENSIONS IN PARENTHESES ( ) ARE IN METRIC UNITS.			
REVISIONS		DESCRIPTION:	
<input type="checkbox"/> SEE ERN ***** FOR APPROVAL SIGNATURES PROJECT NO: *****		<b>TY-GRIP™ FASTENER</b>	
		ORIGINAL PROJECT NO / ( ERN NO )	SHEET NO:
		FM401147 / ( 2003287 )	1 OF 1
		REV. NO:	DRAWING NO:
		—	WSD-000067

## Hook and Loop Fasteners

New version available — UL94V-2 rated material.



Wrap pre-determined bundle diameters using the convenient slotted head!

FD Series Loop Ties



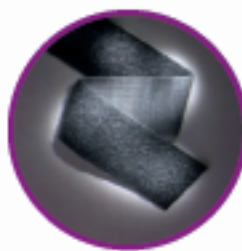
Polymer buckles provide added strength and stability.

FOL Series Buckle Ties



Pre-cut lengths make bundling a cinch!

FOS Series Strip Ties



Rolled hook and loop material enables custom cut lengths, avoiding waste.

FOR Series Rolled Hook and Loop

**Fasteners available in these colors:** Black, Brown, Red, Orange, Yellow, Green, Blue, Gray, and White. Please consult customer service for delivery and availability.

### FO, FOL, FOS and FOR Series

- High-quality Hook & Loop Fasteners designed specifically for Thomas & Betts
- Enables quick and convenient bundling of data and fiber optic cables
- Sizes available to accommodate varying bundle diameters
- Screw and adhesive mounting bases provide multiple mounting options

STD. PKG. CAT. NO.	MIN. TENSILE STRENGTH LBS./IN.	MAX. BUNDLE DIA. IN./MM.	LENGTH IN./MM.	WIDTH IN./MM.	STD. PKG. QTY.
<b>*FO Series Loop Ties</b>					
FO200-40-0	40/177.8	2.0/50.80	9/228.6	.50/12.7	10
FO200-50-0	50/222.4	2.0/50.80	9/228.6	.75/19.05	10
FO350-40-0	50/222.4	3.5/88.90	13/330.2	.50/12.7	10
FO350-50-0	50/222.4	3.5/88.90	13/330.2	.75/19.05	10
<b>FOL Series Buckle Ties</b>					
FOL300-50-0	50/222.4	3.0/76.20	12/304.8	.75	10
FOL500-50-0	50/222.4	5.0/127.0	18/457.2	.75	10
<b>FOS Series Strip Ties</b>					
FOS150-50-0	50/222.4	1.5/38.10	6/152.4	—	10
FOS320-50-0	50/222.4	3.2/81.28	12/304.8	—	10
FOS500-50-0	50/222.4	5.0/127.00	18/457.2	—	10
<b>FOR Series Rolled Hook and Loop</b>					
FOR180-50-0	50/222.4	Various	180/457.2	—	1

- Black is standard color.
  - Multiple colors available for identifying specific bundles
  - \*Add — "FR" for UL94V-2 rated material, after color choice.
- Contact Customer Service for availability and delivery.

Two mounting bases designed for use with hook and loop fasteners.

### Nylon 6.6 Mounting Bases



BULK PKG. CAT. NO.	DESCRIPTION	SCREW SIZE	MAXIMUM TIE WIDTH ACCOM.	BULK PKG. QTY.
TC368	2" x 2" Screw Mounted	#8	0.75/19.05	500
TC368A	2" x 2" Adhesive Mounted	#8	0.75/19.05	500

- -40°F/-40°C to 178°F/80°C
- Natural nylon color.